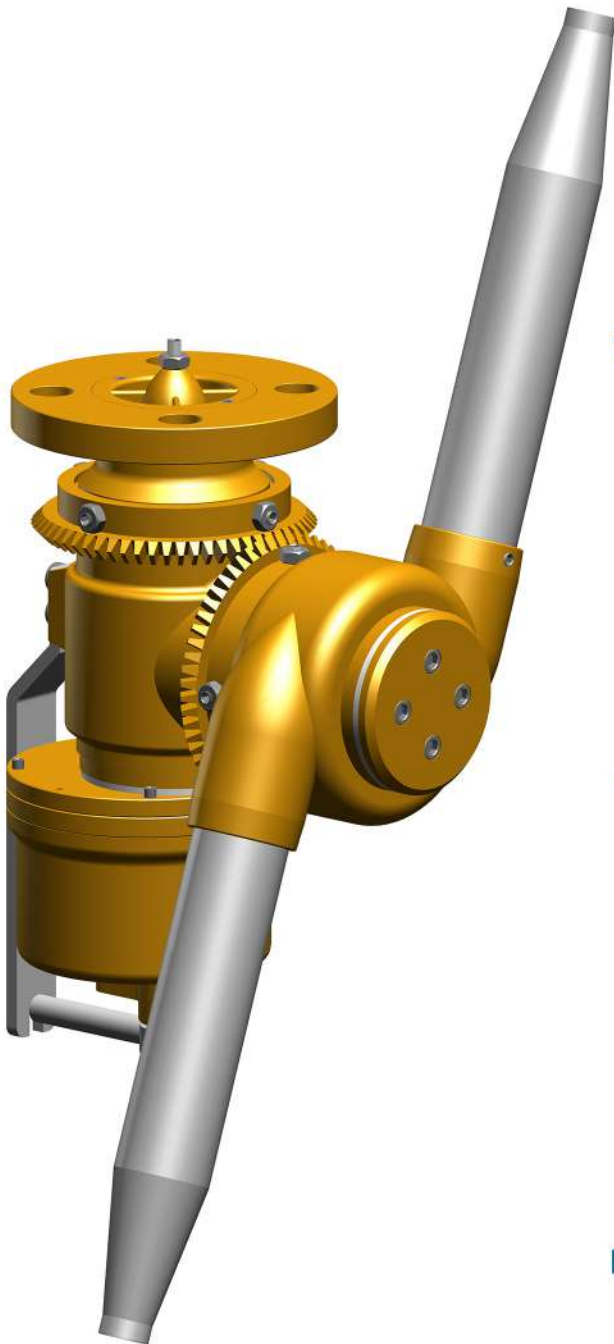


POLAR JET® PJ 50



The Polar Jet® PJ 50 is a non-programmable, twin nozzle Tank Cleaning machine for use in Crude Oil, Product Tankers and many other industrial.



The asymmetrically opposed nozzles are driven by an integrated turbine and gearing unit. The specially designed turbine gives safe and reliable starting and stable speed control.



The PJ 50 can be flange mounted on a standpipe either vertically, from the tank deck or bottom, or horizontally from the sides.

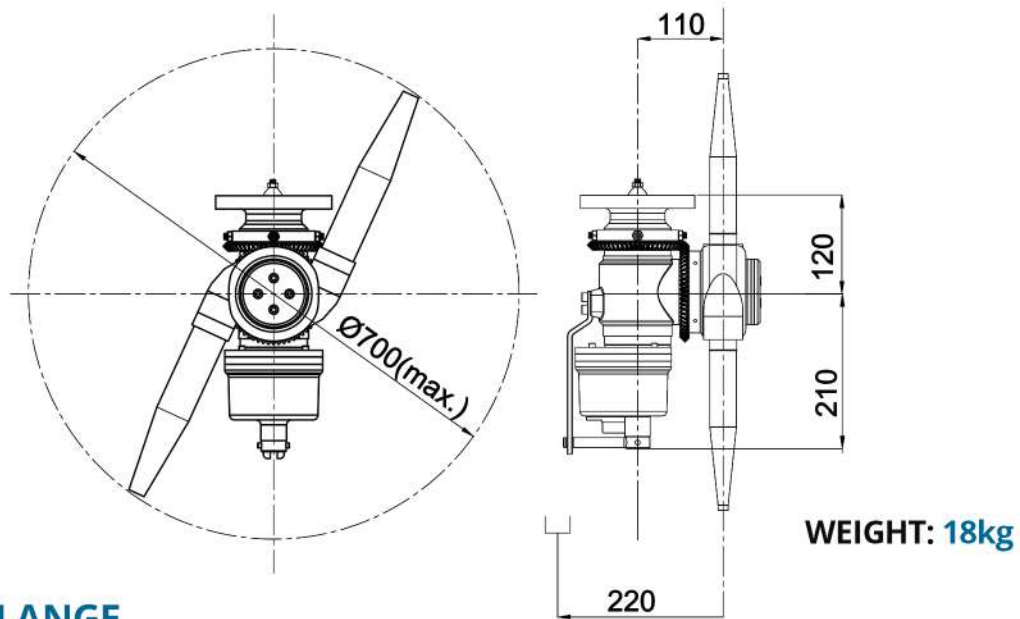


The Polar Jet PJ 50 non-programmable twin nozzle units can be installed submerged down into the tanks as an effective and cost efficient compliment to any deck-mounted machines.



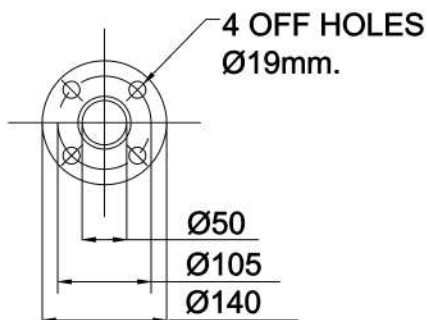
Polarmarine provides in-house Shadow Diagrams using 3-Dimensional CAD for model Selection, Quantity, Positioning and Main Pipe Lengths to optimize cleaning coverage per unit.

DATA SHEET POLAR JET® PJ 50

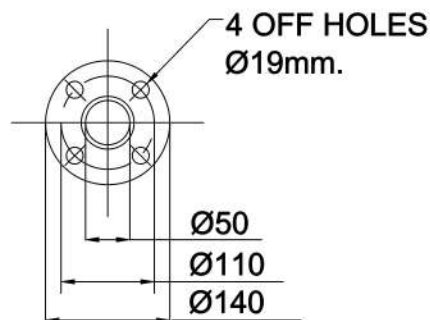


INLET FLANGE

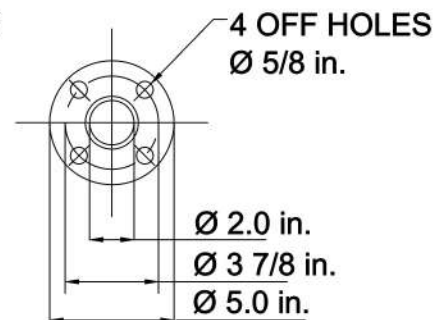
JIS STANDARD



DIN STANDARD



ANSI STANDARD



PERFORMANCE DATA FOR POLAR JET® PJ 50

PRESSURE, NOZZLE DIAMETER, THROUGHPUT AND JET LENGTH

PRESSURE	NOZZLE: Ø 10mm		NOZZLE: Ø 12mm		NOZZLE: Ø 13mm		NOZZLE: Ø 14mm		NOZZLE: Ø 16mm		NOZZLE: Ø 18mm	
	BAR	m ³ /h	METER	m ³ /h	METER	m ³ /h	METER	m ³ /h	METER	m ³ /h	METER	m ³ /h
12	27.0	21.5	45.0	25.0	50.0	26.5	56.0	27.5	70.0	30.0	80.0	32.0
11	25.5	21.0	42.5	24.5	47.5	25.5	53.5	27.0	66.5	29.5	78.0	31.5
10	24.5	20.5	40.0	24.0	45.0	25.0	51.5	26.5	62.5	29.0	74.0	31.0
9	23.0	19.5	37.5	23.0	42.5	24.0	48.0	25.5	59.0	28.0	70.0	30.0
8	21.5	18.5	35.0	22.0	40.0	23.0	45.0	24.5	55.0	27.0	66.0	29.0
7	20.5	17.5	32.5	21.5	37.5	22.0	42.5	23.5	52.0	26.0	62.0	28.0
6	19.0	16.5	30.0	20.0	35.0	21.0	40.0	22.5	48.0	25.0	58.0	27.0
5	17.5	15.5	27.5	18.5	32.5	20.0	37.5	21.5	44.0	23.5	54.0	26.0
4	16.0	14.5	25.0	17.5	30.0	19.0	35.0	21.0	41.0	23.0	51.0	25.0

Shipyard Supply: Eventual Deck Flange connections, Gaskets, Studs, Bolts, Nuts and Washers

Note: Polarmarine can provide intermediate nozzle sizes based on customer's machine performance requirement. On the other hand, intermediate nozzle sizes could refer to performance data of the larger nozzle size (For instance, Ø 15.2 mm needs to apply performance data of Ø 16 mm).

POLARMARINE SCANDINAVIA AB • INDUSTRIGATAN 39 BOX 1035 SE-212 10 MALMÖ SWEDEN

• TEL +46-31-965900 • FAX +46-40-216513 • EMAIL info@polarmarine.se / sales@polarmarine.ph / engineering@polarmarine.ph • WEBSITE www.polarmarine.se

MATERIAL SPECIFICATIONS POLAR JET® PJ 50

