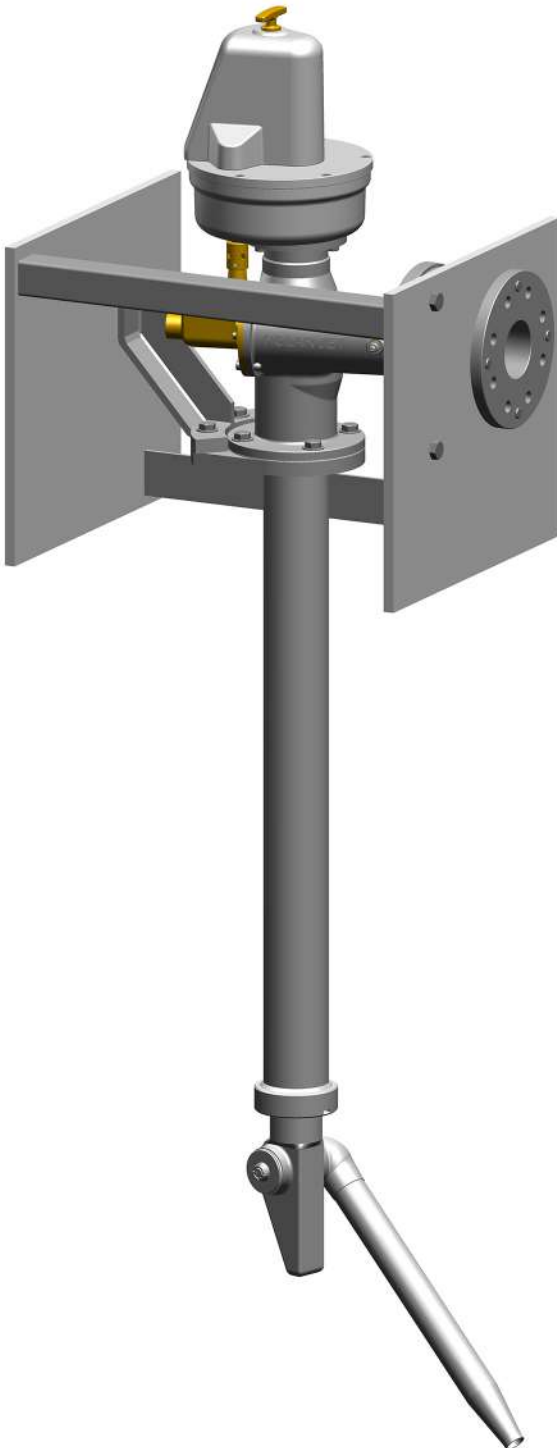


POLAR JET® PJ 120

SWINGABLE DESIGN



The POLAR JET® PJ 120 is a deck mounted, fully programmable, single nozzle Tank Cleaning machine equipped with speed and angle limit controls for cleaning of Bulk Carriers. Movement of the nozzle can be set to work between any angles from 0 to 180 degrees.



For example, the PJ 120 can be set to work only between 0 to 45 degrees with reverse direction for concentrated bottom cleaning – or any other angle parameters of 30 degrees or more.



Nozzle movement is controlled by the integrated turbine driven control unit providing a controlled rotation in the horizontal plane, combined with a slow, controlled vertical movement. This means that the nozzle performs helical wash patterns.



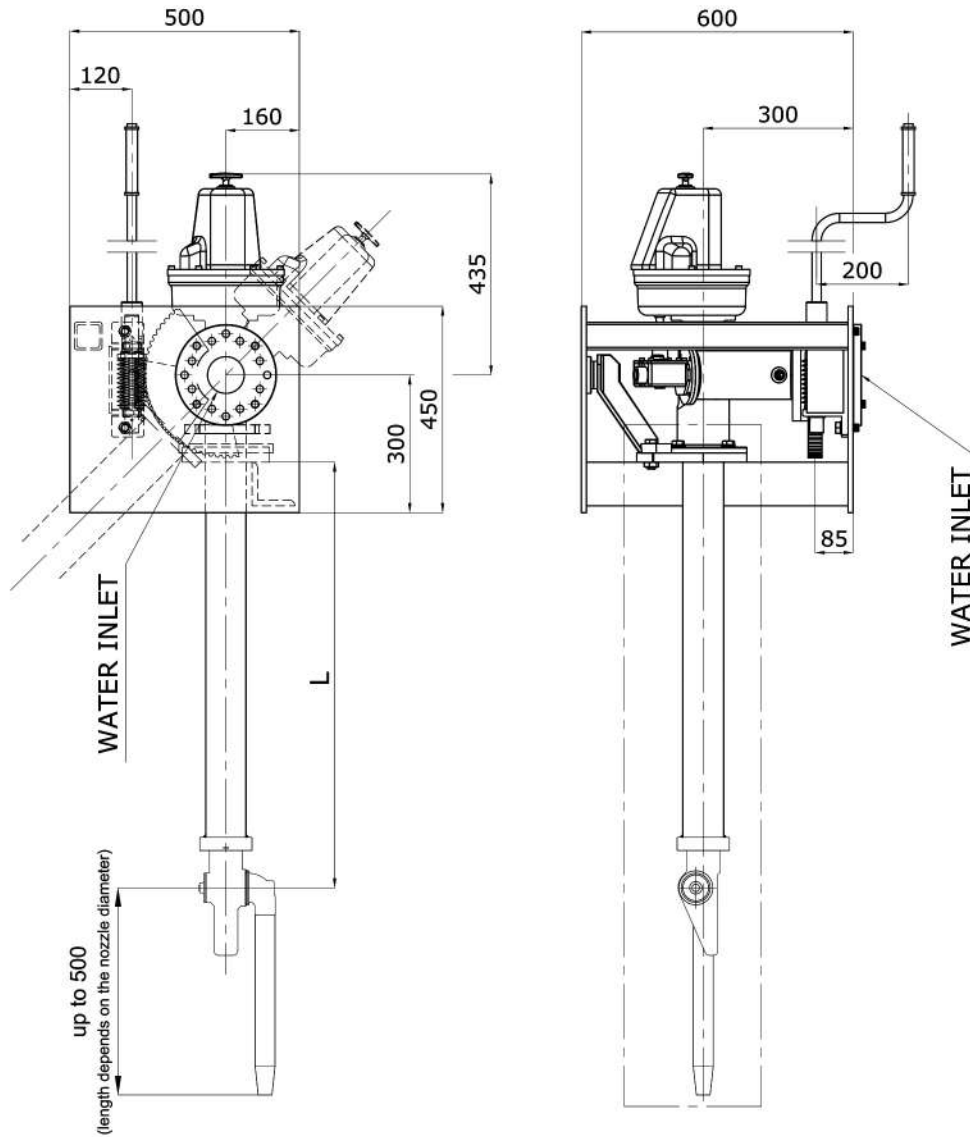
The Turbine driven automatic nozzle pitch for the PJ 120 is 3 degrees. Adjustable guide vanes located in front of the turbine control speed, which should be between 1 and 2.5 RPM.



Polarmarine provide in-house Shadow Diagrams using 3-Dimensional CAD for model Selection, Quantity, Positioning and Main Pipe Lengths to optimize cleaning coverage per unit.

PJ 120 Swingable Design also provides a great way to maximize the cargo hold area during the loading and unloading activities. With its built-in hand cranking mechanism, the equipment can be set from a vertical orientation into a horizontal orientation without the need of un-mounting the equipment.

DATA SHEET POLAR JET® PJ 120 SWINGABLE DESIGN



INLET FLANGE

JIS STANDARD

PCD	160mm
8 Holes	Ø 23mm

DIN STANDARD

PCD	160mm
8 Holes	Ø 19mm

ANSI STANDARD

PCD	6.0 in
4 Holes	Ø ¾ in

APPROX. WEIGHTS

L (m)	WEIGHT (kg)
1.0	90
2.0	105
3.0	120
4.0	135
5.0	150

SHIPYARD SUPPLY

DECK FLANGE CONN.
GASKETS
STUDS
NUTS
WASHERS

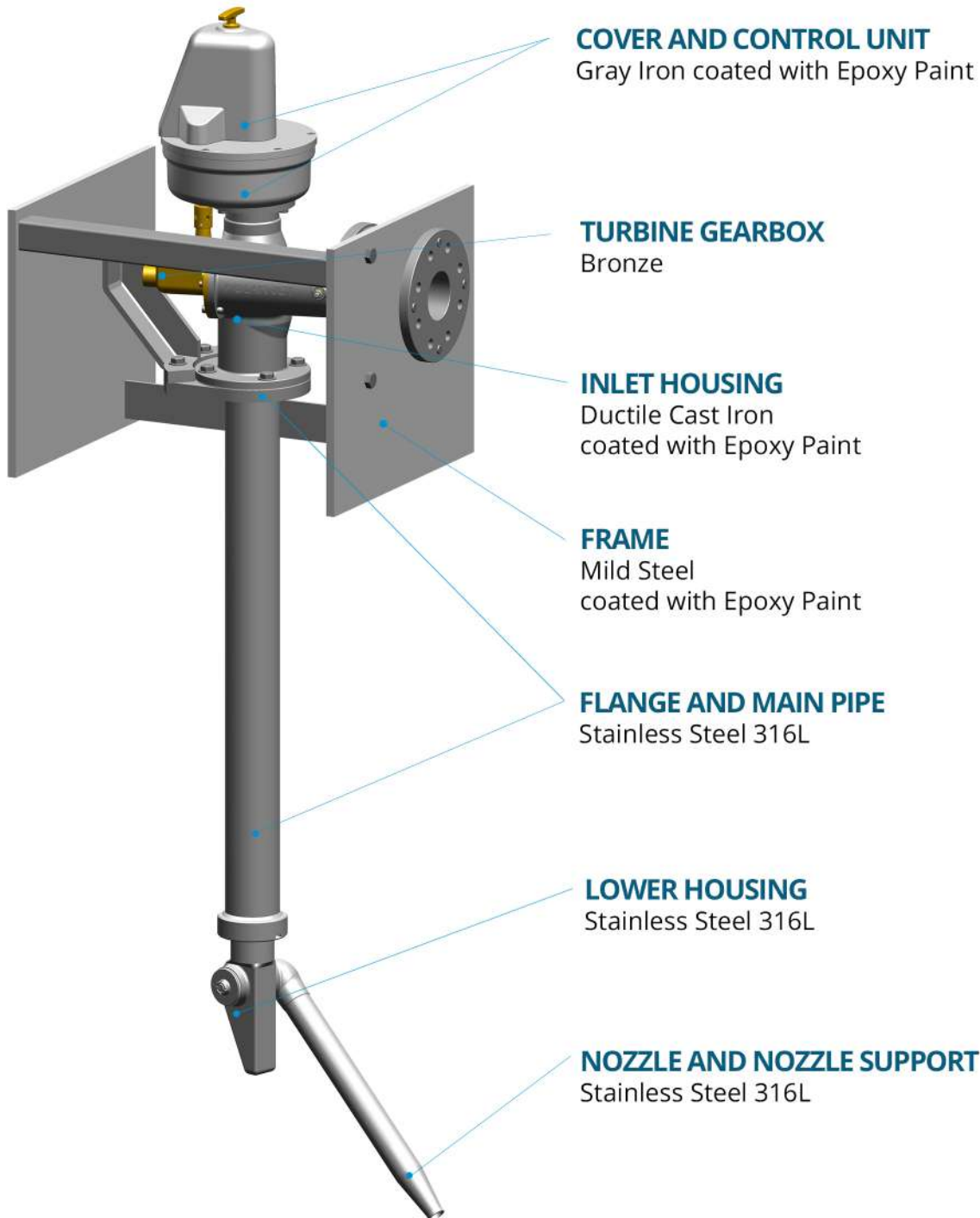
PERFORMANCE DATA FOR POLAR JET® PJ 120 SWINGABLE DESIGN

PRESSURE, NOZZLE DIAMETER, THROUGHPUT AND JET LENGTH

PRESSURE	NOZZLE: Ø 25mm		NOZZLE: Ø 26mm		NOZZLE: Ø 28mm		NOZZLE: Ø 29mm		NOZZLE: Ø 30mm		NOZZLE: Ø 31mm		NOZZLE: Ø 32.5mm		NOZZLE: Ø 35mm	
	BAR	m³/h	METER	m³/h	METER	m³/h	METER	m³/h	METER	m³/h	METER	m³/h	METER	m³/h	METER	m³/h
12	74.0	40.0	80.0	41.0	89.0	42.5	97.0	43.5	105.0	44.5	114.0	45.5	126.0	46.5	149.0	48.0
11	70.0	39.5	76.0	40.5	84.5	42.0	92.0	43.0	100.0	44.0	108.0	45.0	119.0	46.0	141.0	47.5
10	66.0	39.0	72.0	40.0	80.0	41.5	87.5	42.5	94.0	43.5	102.0	44.5	112.0	45.5	132.0	47.0
9	62.5	38.0	66.0	39.0	76.0	40.5	82.5	41.5	89.0	42.5	96.0	43.5	105.0	44.5	123.0	46.0
8	59.0	37.0	64.0	38.0	72.0	39.5	78.0	40.5	84.0	41.5	90.0	42.5	98.0	43.5	114.0	45.0
7	55.0	35.5	60.0	36.5	68.0	38.0	73.0	39.0	78.5	40.0	84.0	41.0	91.0	42.0	104.0	43.5
6	51.0*	34.0	56.0	35.0	63.0	36.5	68.5	37.5	73.0	38.5	78.0	39.5	84.0	40.5	95.0	42.0

Note: Polarmarine can provide intermediate nozzle sizes based on customer's machine performance requirement. On the other hand, intermediate nozzle sizes could refer to performance data of the larger nozzle size (For instance, Ø 15.2 mm needs to apply performance data of Ø 16 mm).

MATERIAL SPECIFICATIONS POLAR JET® PJ 120 SWINGABLE DESIGN



*Paint specification is Polarmarine Standard. Modification of paint specification is subjected for additional charge.

Also available with **Stainless Steel 316 Inlet Housing upon request and subjected to additional charge.

***Also available with **Bronze Washing Unit** upon request and subjected to additional charge.