

## POLAR JET® PJ 120 SPLIT TYPE



The POLAR JET® PJ 120 Split Type is a deck mounted, fully programmable, single nozzle Tank Cleaning machine equipped with speed and angle limit controls. Movement of the nozzle can be set to work between any angles from 0 to 180 degrees.



For example, the PJ 120 can be set to work only between 0 to 45 degrees with reverse direction for concentrated bottom cleaning – or any other angle parameters of 30 degrees or more.



Nozzle movement is controlled by the integrated turbine driven control unit providing a controlled rotation in the horizontal plane, combined with a slow, controlled vertical movement. This means that the nozzle performs helical wash patterns.



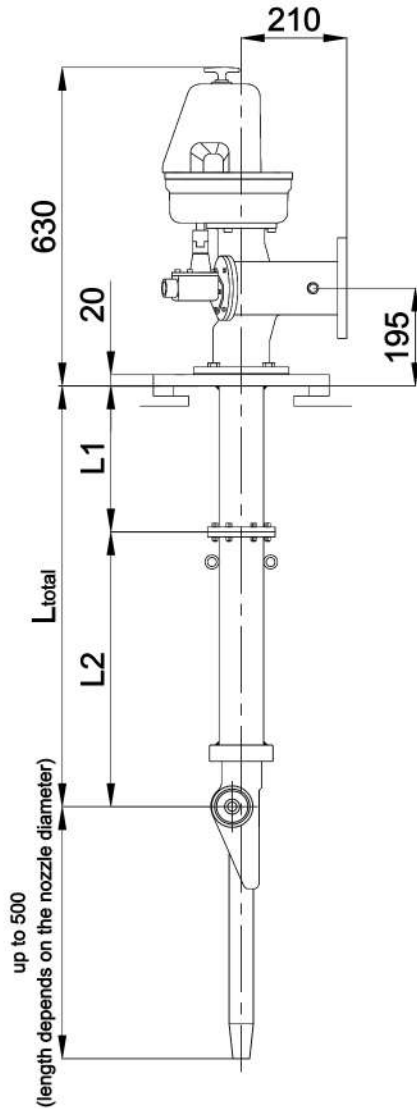
The Turbine driven automatic nozzle pitch for the PJ 120 is 3 degrees. Adjustable guide vanes located in front of the turbine control speed, which should be between 1 and 2.5 RPM.



Polarmarine provide in-house Shadow Diagrams using 3-Dimensional CAD for model Selection, Quantity, Positioning and Main Pipe Lengths to optimize cleaning coverage per unit.

PJ 120 Split type is a solution for such structures with a limited vertical clearance on the upper deck to perform either installation or maintenance activities. This type of PJ 120 can be split in several segments and the lengths of each segment can be custom made to fit as per client's requirement.

## DATA SHEET POLAR JET® PJ 120 SPLIT TYPE



### SMALLEST DECK OPENING 190mm

#### INLET FLANGE

##### JIS STANDARD

PCD	160mm
8 Holes	Ø 23mm

##### DIN STANDARD

PCD	160mm
8 Holes	Ø 19mm

##### ANSI STANDARD

PCD	6.0 in
4 Holes	Ø ¾ in

#### APPROX. WEIGHTS

L (m)	WEIGHT (kg)
1.0	90
2.0	105
3.0	120
4.0	135
5.0	150

#### DECK FLANGE

##### JIS STANDARD

OD	320mm
PCD	280mm
8 Holes	Ø 23mm

##### DIN STANDARD

OD	340mm
PCD	295mm
12 Holes	Ø 23mm

##### ANSI STANDARD

OD	13 ½ in
PCD	11 ¾ in
8 Holes	Ø 7/8 in

#### SHIPYARD SUPPLY

DECK FLANGE CONN.  
GASKETS  
STUDS  
NUTS  
WASHERS

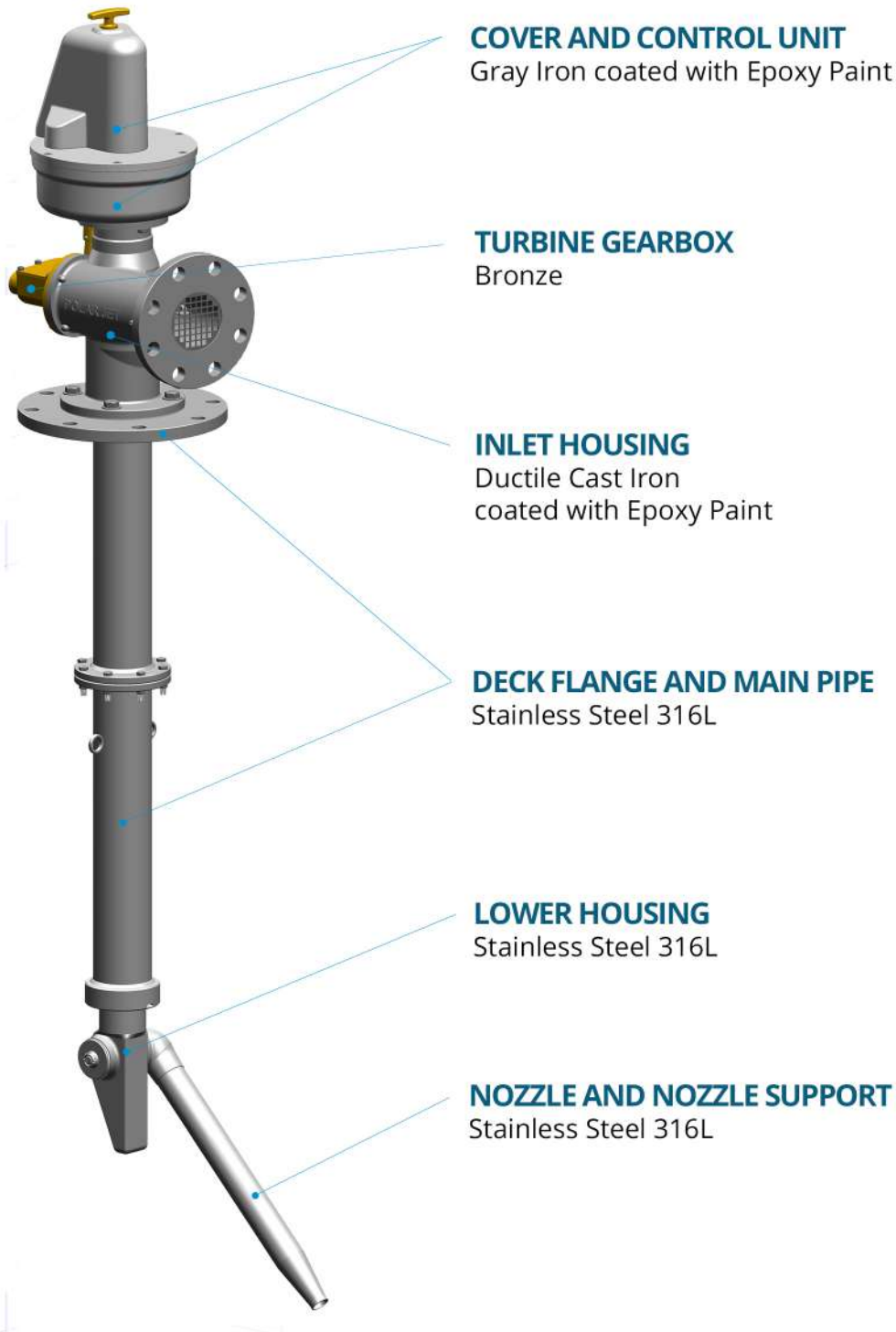
### PERFORMANCE DATA FOR POLAR JET PJ 120 SPLIT TYPE

PRESSURE, NOZZLE DIAMETER, THROUGHPUT AND JET LENGTH

PRESSURE BAR	NOZZLE: Ø 25mm		NOZZLE: Ø 26mm		NOZZLE: Ø 28mm		NOZZLE: Ø 29mm		NOZZLE: Ø 30mm		NOZZLE: Ø 31mm		NOZZLE: Ø 32.5mm		NOZZLE: Ø 35mm	
	m³/h	METER	m³/h	METER	m³/h	METER	m³/h	METER	m³/h	METER	m³/h	METER	m³/h	METER	m³/h	METER
12	74.0	40.0	80.0	41.0	89.0	42.5	97.0	43.5	105.0	44.5	114.0	45.5	126.0	46.5	149.0	48.0
11	70.0	39.5	76.0	40.5	84.5	42.0	92.0	43.0	100.0	44.0	108.0	45.0	119.0	46.0	141.0	47.5
10	66.0	39.0	72.0	40.0	80.0	41.5	87.5	42.5	94.0	43.5	102.0	44.5	112.0	45.5	132.0	47.0
9	62.5	38.0	66.0	39.0	76.0	40.5	82.5	41.5	89.0	42.5	96.0	43.5	105.0	44.5	123.0	46.0
8	59.0	37.0	64.0	38.0	72.0	39.5	78.0	40.5	84.0	41.5	90.0	42.5	98.0	43.5	114.0	45.0
7	55.0	35.5	60.0	36.5	68.0	38.0	73.0	39.0	78.5	40.0	84.0	41.0	91.0	42.0	104.0	43.5
6	51.0*	34.0	56.0	35.0	63.0	36.5	68.5	37.5	73.0	38.5	78.0	39.5	84.0	40.5	95.0	42.0

Note: Polarmarine can provide intermediate nozzle sizes based on customer's machine performance requirement. On the other hand, intermediate nozzle sizes could refer to performance data of the larger nozzle size (For instance, Ø 15.2 mm needs to apply performance data of Ø 16 mm).

## MATERIAL SPECIFICATIONS POLAR JET® PJ 120 SPLIT TYPE



\*Paint specification is Polarmarine Standard. Modification of paint specification is subjected for additional charge.

\*\*Also available with **Stainless Steel 316** Inlet Housing upon request and subjected to additional charge.

\*\*\*Also available with **Bronze Washing Unit** upon request and subjected to additional charge.