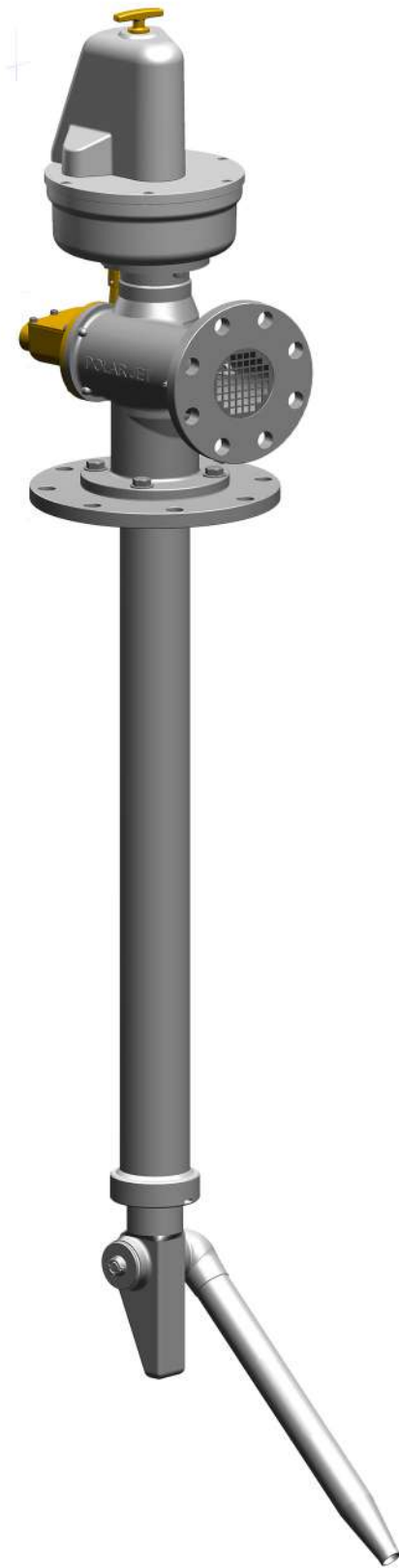


POLAR JET® PJ 120 CPA

CONTROLLED SPEED, PITCH AND ANGLE



The Polar Jet PJ 120 CPA is a deck mounted, fully programmable, single nozzle Tank Cleaning machine equipped with pitch, speed and angle limit controls. Movement of the nozzle can be set to work continuously any angles from 0 to 180 degrees.



The pitch per revolution can be set to 1.5 or 3 degrees.



The nozzles can be set to work between any angle from 0 to 180 degrees.



The PJ 120CPA can be set to work between 0 to 45 degrees with automatic reverse direction for concentrated bottom cleaning – or any other suitable angles. The nozzle angle can also be manually fixed for concentrated spot cleaning.



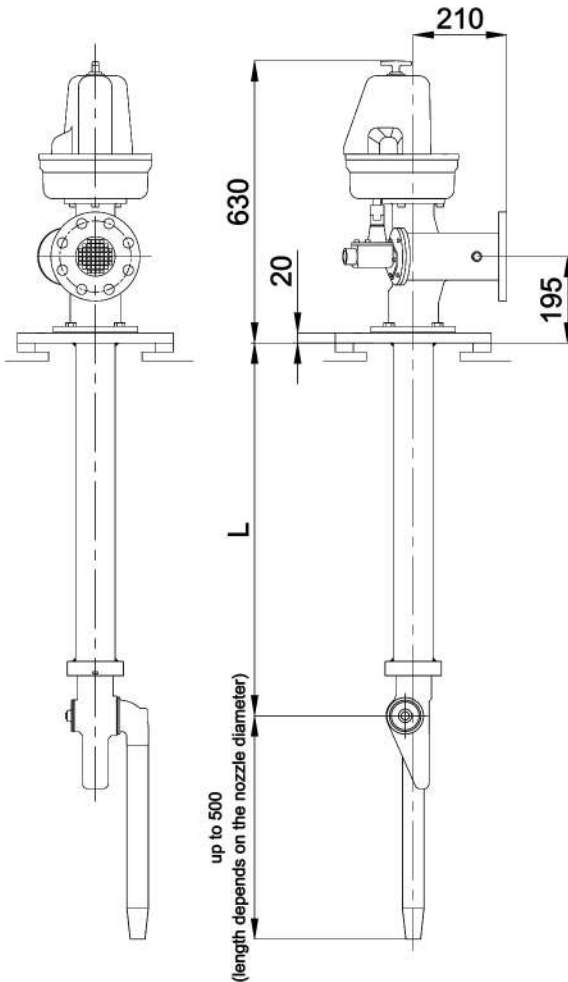
Nozzle movement is a variable rotation speed in the horizontal plane combined with a changeable vertical pitch.



Polarmarine provide in-house Shadow Diagrams using 3-dimensional CAD for model Selection, Quantity, Positioning and Main Pipe Length to optimize cleaning coverage per unit.

DATA SHEET POLAR JET® PJ 120 CPA

SMALLEST DECK OPENING 190mm



INLET FLANGE

JIS STANDARD	
PCD	160mm
8 Holes	Ø 23mm
DIN STANDARD	
PCD	160mm
8 Holes	Ø 19mm
ANSI STANDARD	
PCD	6.0 in
4 Holes	Ø 3/4 in

DECK FLANGE

JIS STANDARD	
OD	320mm
PCD	280mm
8 Holes	Ø 23mm
DIN STANDARD	
OD	340mm
PCD	295mm
12 Holes	Ø 23mm
ANSI STANDARD	
OD	13 1/2 in
PCD	11 3/4 in
8 Holes	Ø 7/8 in

APPROX. WEIGHTS

L (m)	WEIGHT (kg)
1.0	90
2.0	105
3.0	120
4.0	135
5.0	150

SHIPYARD SUPPLY

DECK FLANGE CONN.
GASKETS
STUDS
NUTS
WASHERS

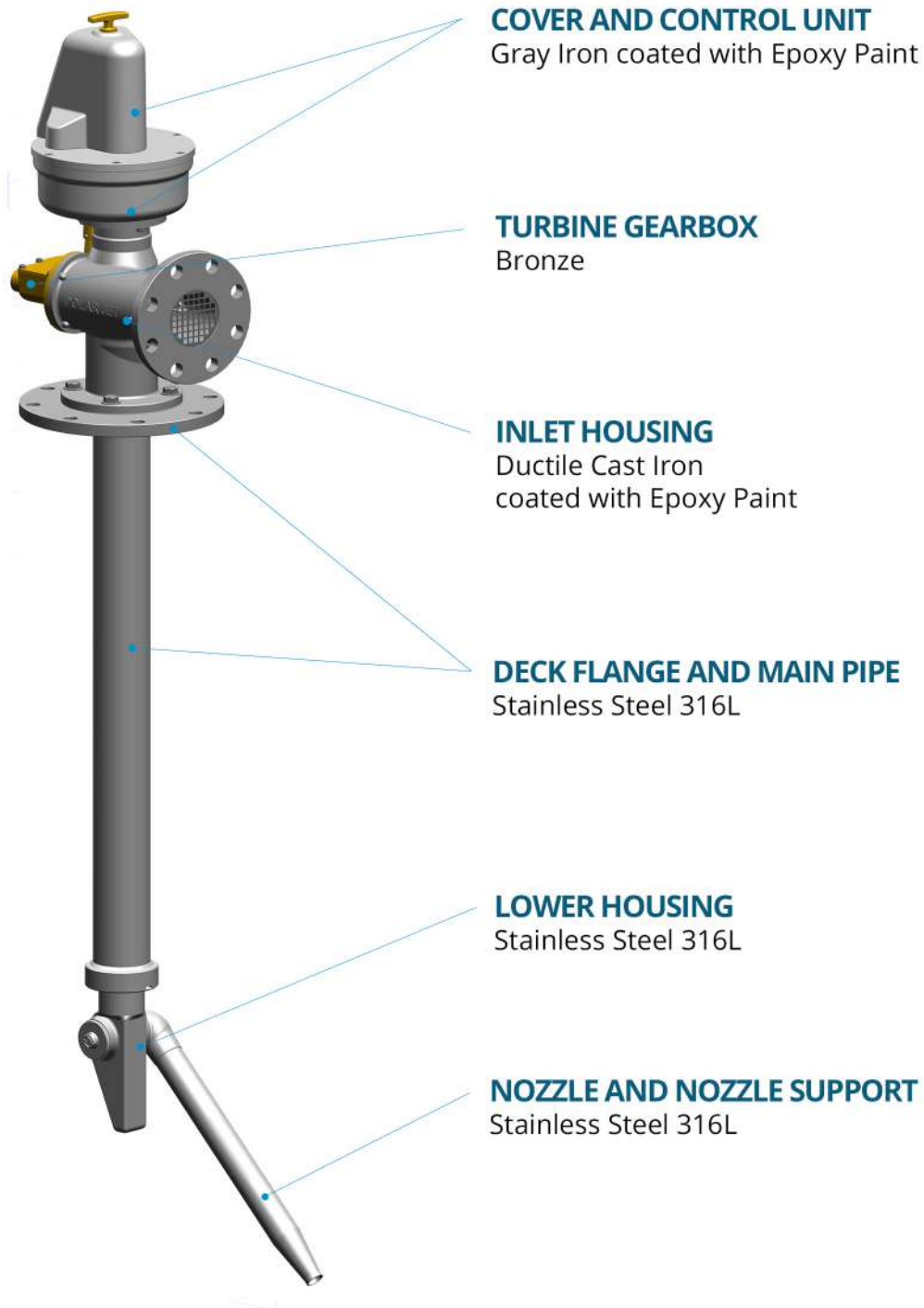
PERFORMANCE DATA FOR POLAR JET® PJ 120 CPA

PRESSURE, NOZZLE DIAMETER, THROUGHPUT AND JET LENGTH

PRESSURE	NOZZLE: Ø 25mm		NOZZLE: Ø 26mm		NOZZLE: Ø 28mm		NOZZLE: Ø 29mm		NOZZLE: Ø 30mm		NOZZLE: Ø 31mm		NOZZLE: Ø 32.5mm		NOZZLE: Ø 35mm	
	BAR	m³/h	METER	m³/h	METER	m³/h	METER	m³/h	METER	m³/h	METER	m³/h	METER	m³/h	METER	m³/h
12	74.0	40.0	80.0	41.0	89.0	42.5	97.0	43.5	105.0	44.5	114.0	45.5	126.0	46.5	149.0	48.0
11	70.0	39.5	76.0	40.5	84.5	42.0	92.0	43.0	100.0	44.0	108.0	45.0	119.0	46.0	141.0	47.5
10	66.0	39.0	72.0	40.0	80.0	41.5	87.5	42.5	94.0	43.5	102.0	44.5	112.0	45.5	132.0	47.0
9	62.5	38.0	66.0	39.0	76.0	40.5	82.5	41.5	89.0	42.5	96.0	43.5	105.0	44.5	123.0	46.0
8	59.0	37.0	64.0	38.0	72.0	39.5	78.0	40.5	84.0	41.5	90.0	42.5	98.0	43.5	114.0	45.0
7	55.0	35.5	60.0	36.5	68.0	38.0	73.0	39.0	78.5	40.0	84.0	41.0	91.0	42.0	104.0	43.5
6	51.0*	34.0	56.0	35.0	63.0	36.5	68.5	37.5	73.0	38.5	78.0	39.5	84.0	40.5	95.0	42.0

Note: Polarmarine can provide intermediate nozzle sizes based on customer's machine performance requirement. On the other hand, intermediate nozzle sizes could refer to performance data of the larger nozzle size (For instance, Ø 15.2 mm needs to apply performance data of Ø 16 mm).

MATERIAL SPECIFICATIONS POLAR JET® PJ 120 CPA



*Paint specification is Polarmarine Standard. Modification of paint specification is subject for additional charge.

Also available with **Stainless Steel 316 Inlet Housing upon request and subject to additional charge.

***We can also supply **Bronze Washing Unit** as Optional