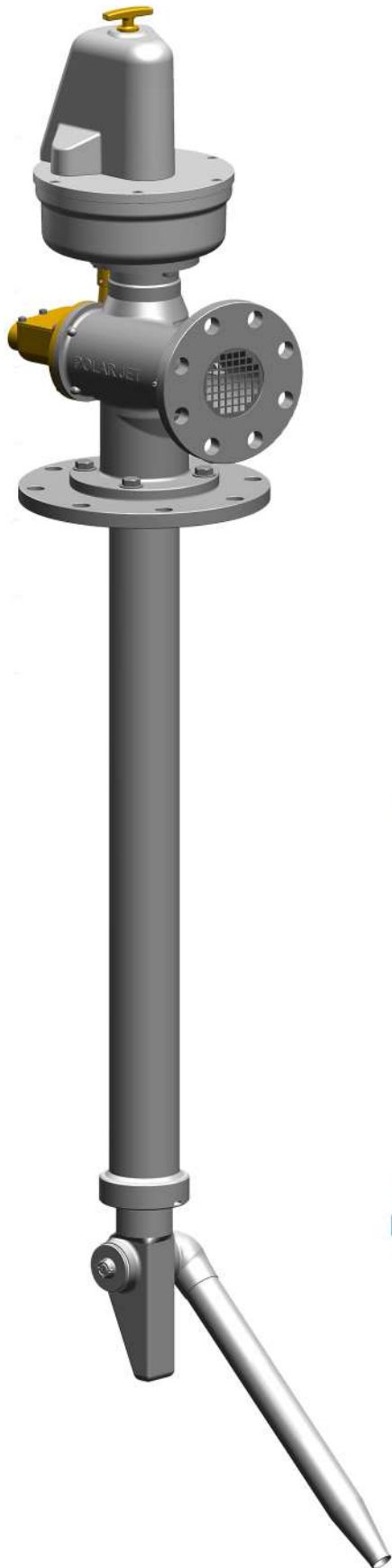


POLAR JET® PJ 120 STANDARD



The Polar Jet® PJ 120 is a deck mounted, fully programmable, single nozzle Tank Cleaning machine equipped with speed and angle limit controls. Movement of the nozzle can be set to work continuously between any angles from 0 to 180 degrees.



For example, the PJ 120 can be set to work between 0 to 45 degrees with reverse direction for concentrated bottom cleaning – or any other angle parameters of 30 degrees or more.



Nozzle movement is controlled by the integrated turbine driven control unit providing a controlled rotation in the horizontal plane, combined with a slow, controlled vertical movement. This means that the nozzle performs helical wash patterns.



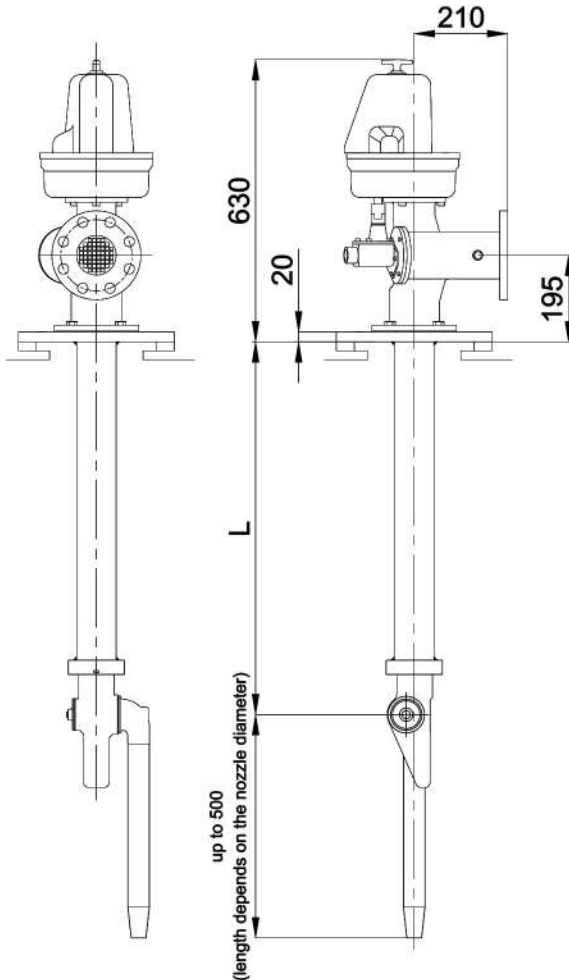
The Turbine driven with automatic nozzle pitch for the PJ 120 is 3 degrees. Adjustable guide vanes located in front of the turbine control speed, which should be between 1 and 2.5 rpm.



Polarmarine provide in-house Shadow Diagrams using 3-Dimensional CAD for model Selection, Quantity, Positioning and Main Pipe Lengths to optimize cleaning coverage per unit.

DATA SHEET POLAR JET® PJ 120

SMALLEST DECK OPENING 190mm



INLET FLANGE

JIS STANDARD	
PCD	160mm
8 Holes	Ø 23mm
DIN STANDARD	
PCD	160mm
8 Holes	Ø 19mm
ANSI STANDARD	
PCD	6.0 in
4 Holes	Ø ¾ in

DECK FLANGE

JIS STANDARD	
OD	320mm
PCD	280mm
8 Holes	Ø 23mm
DIN STANDARD	
OD	340mm
PCD	295mm
12 Holes	Ø 23mm
ANSI STANDARD	
OD	13 ½ in
PCD	11 ¾ in
8 Holes	Ø 7/8 in

APPROX. WEIGHTS

L (m)	WEIGHT (kg)
1.0	90
2.0	105
3.0	120
4.0	135
5.0	150

SHIPYARD SUPPLY

DECK FLANGE CONN.
GASKETS
STUDS
NUTS
WASHERS

PERFORMANCE DATA FOR POLAR JET® PJ 120

PRESSURE, NOZZLE DIAMETER, THROUGHPUT AND JET LENGTH

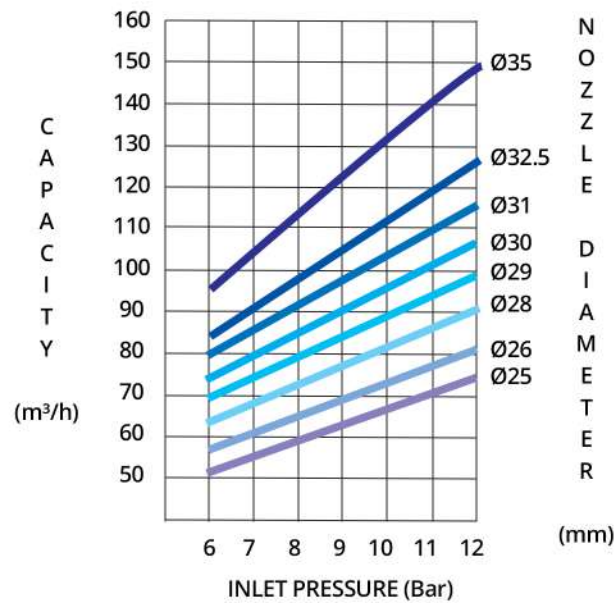
PRESSURE	NOZZLE: Ø 25mm		NOZZLE: Ø 26mm		NOZZLE: Ø 28mm		NOZZLE: Ø 29mm		NOZZLE: Ø 30mm		NOZZLE: Ø 31mm		NOZZLE: Ø 32.5mm		NOZZLE: Ø 35mm	
	BAR	m³/h	METER	m³/h	METER	m³/h	METER	m³/h	METER	m³/h	METER	m³/h	METER	m³/h	METER	m³/h
12	74.0	40.0	80.0	41.0	89.0	42.5	97.0	43.5	105.0	44.5	114.0	45.5	126.0	46.5	149.0	48.0
11	70.0	39.5	76.0	40.5	84.5	42.0	92.0	43.0	100.0	44.0	108.0	45.0	119.0	46.0	141.0	47.5
10	66.0	39.0	72.0	40.0	80.0	41.5	87.5	42.5	94.0	43.5	102.0	44.5	112.0	45.5	132.0	47.0
9	62.5	38.0	66.0	39.0	76.0	40.5	82.5	41.5	89.0	42.5	96.0	43.5	105.0	44.5	123.0	46.0
8	59.0	37.0	64.0	38.0	72.0	39.5	78.0	40.5	84.0	41.5	90.0	42.5	98.0	43.5	114.0	45.0
7	55.0	35.5	60.0	36.5	68.0	38.0	73.0	39.0	78.5	40.0	84.0	41.0	91.0	42.0	104.0	43.5
6	51.0*	34.0	56.0	35.0	63.0	36.5	68.5	37.5	73.0	38.5	78.0	39.5	84.0	40.5	95.0	42.0

* At this low capacity for Polar Jet PJ 120 machine has, we suggest considering using PJ 30. Refer to Data Sheet of PJ 30.

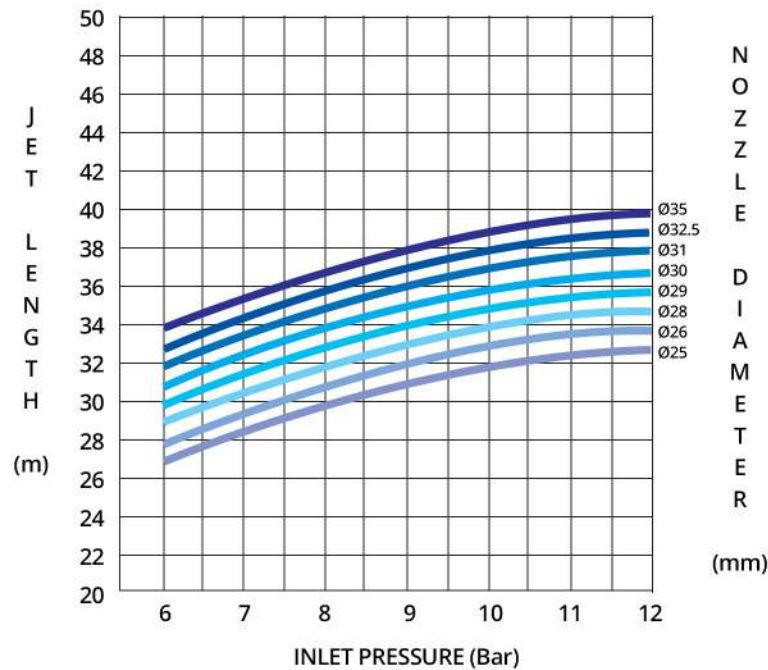
Note: Polarmarine can provide intermediate nozzle sizes based on customer's machine performance requirement. On the other hand, intermediate nozzle sizes could refer to performance data of the larger nozzle size (For instance, Ø 15.2 mm needs to apply performance data of Ø 16 mm).

PERFORMANCE GRAPH FOR POLAR JET® PJ 120

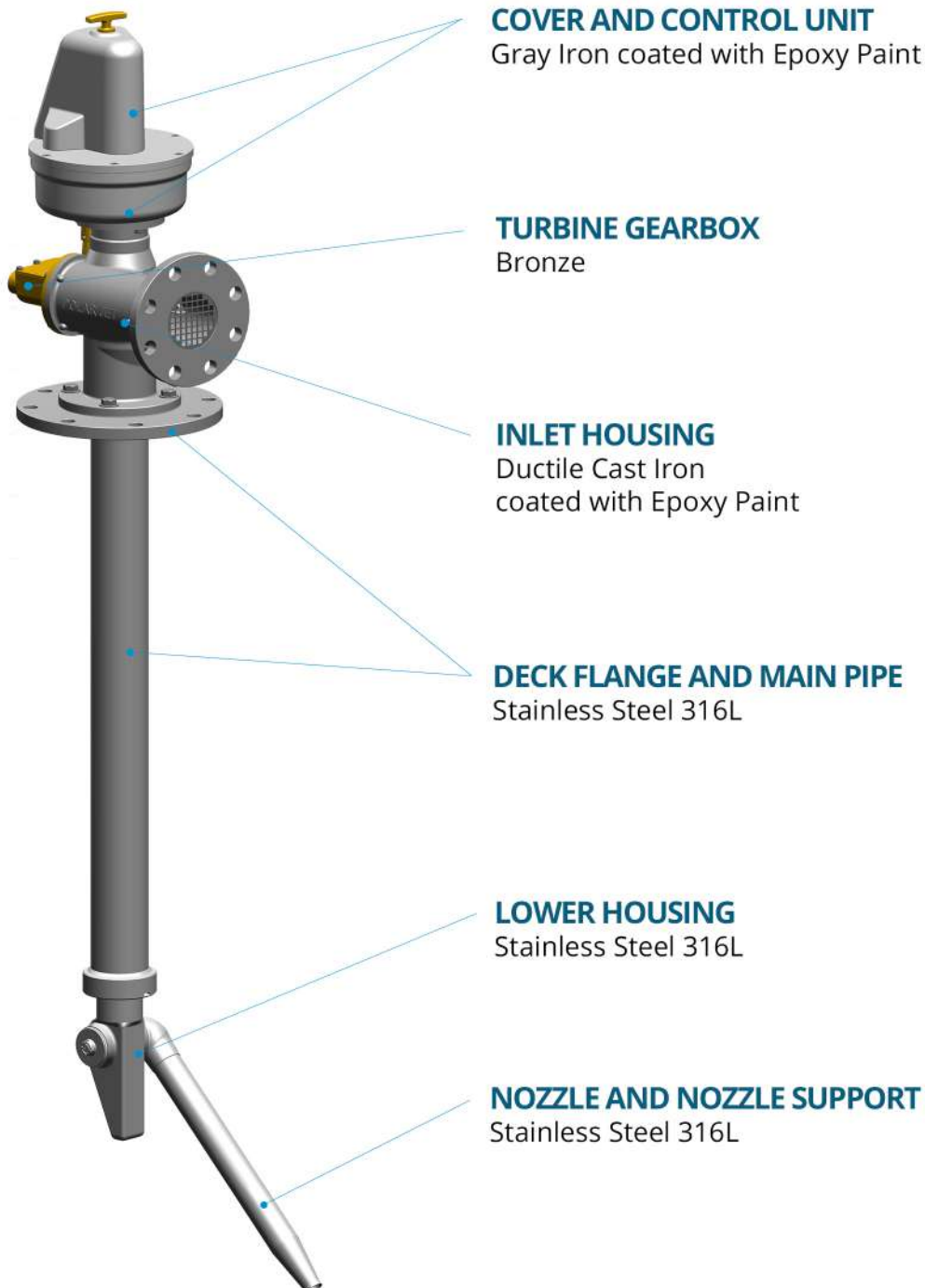
CAPACITY, INLET PRESSURE, AND NOZZLE DIAMETER



JET LENGTH, INLET PRESSURE, AND NOZZLE DIAMETER



MATERIAL SPECIFICATIONS POLAR JET® PJ 120



*Paint specification is Polarmarine Standard. Modification of paint specification is subjected for additional charge.

Also available with **Stainless Steel 316 or **Bronze** Inlet Housing upon request and subjected to additional charge.

*** We can also supply **Bronze** Washing Unit and **Galvanized** Deck Flange and Main Pipe as Optional.