

ACCESSORIES

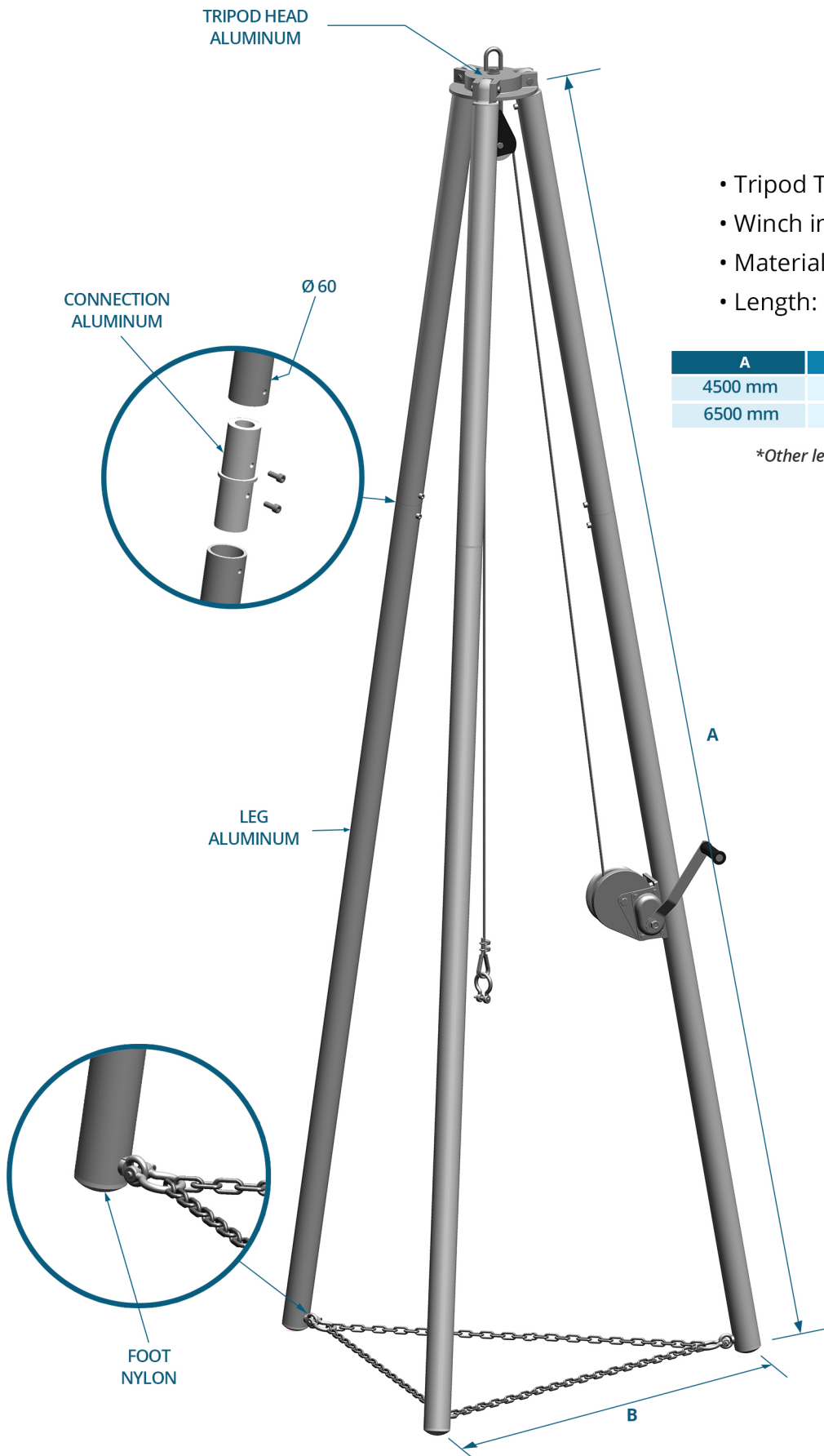


TRIPOD

- Tripod Type: Split type
- Winch included
- Material: Aluminum
- Length: 4.5m and 6m

A	B	LENGTH
4500 mm	1800 mm	49 kg
6500 mm	2200 mm	58 kg

**Other length available upon request.*



FLANGE - BALL VALVE - MALE CAMLOCK



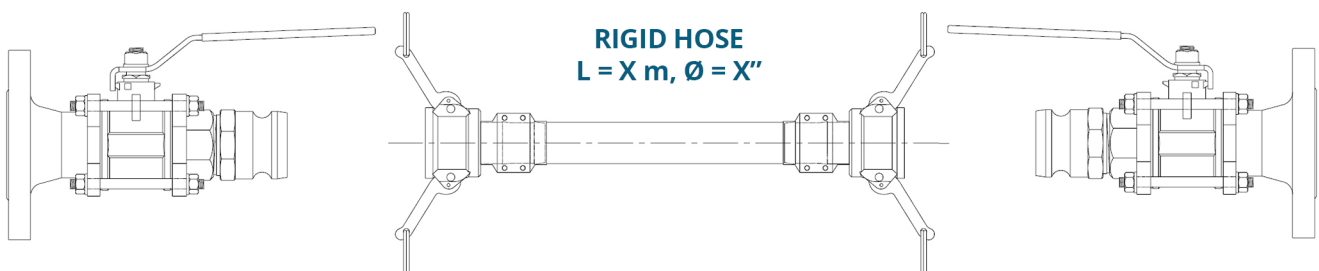
- Material is Stainless Steel SUS316L.
- Available sizes are 1.5" and 2".
- Also available Flange - Ball Valve - Female Camlock.
- Comes with Dust Cap for MAle Camlock and Dust Plug for Female Camlock.
- Can be mounted to the Fixed Tank Cleaning Machine.

We declare to deliver according to the specifications mentioned above.

HOSE BALL VALVE ASSEMBLY

to TCM Connection

to Shipyard Connection



LIST OF AVAILABLE CAMLOCKS AND COUPLINGS



FEMALE CAMLOCK

- Can be used in both Layflat and Rigid Hose
- Can be used in Ball Valves.
- Available sizes are 1.5" and 2"
- Accessories: Dust Plug; available sizes are 1.5" and 2"



MALE CAMLOCK

- Can be used in both Layflat and Rigid Hose
- Can be used in Ball Valves.
- Available sizes are 1.5" and 2"
- Accessories: Dust Plug; available sizes are 1.5" and 2"



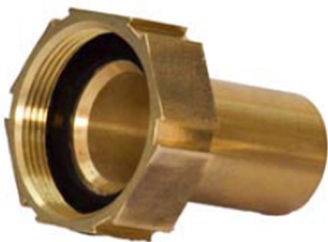
NAKAJIMA COUPLING

- Conform to Japanese JIS 7335
- Two halves are identical and a quarter turn locks the couplings together
- Can be used in both Layflat and Rigid Hose



STORZ COUPLING

- Conform to German Standard DIN 14302 and 14303
- A quarter turn mates the two identical halves
- Can be used in both Layflat and Rigid Hose
- Available sizes are 2" and 2.5"



FEMALE COUPLING

- Standard hose connection for Portable Tank Cleaning Machine
- Can be BSP Threaded or ANSI Threaded
- Can be used in both Layflat and Rigid Hose
- Available sizes are 1.5", 2", and 2.5"

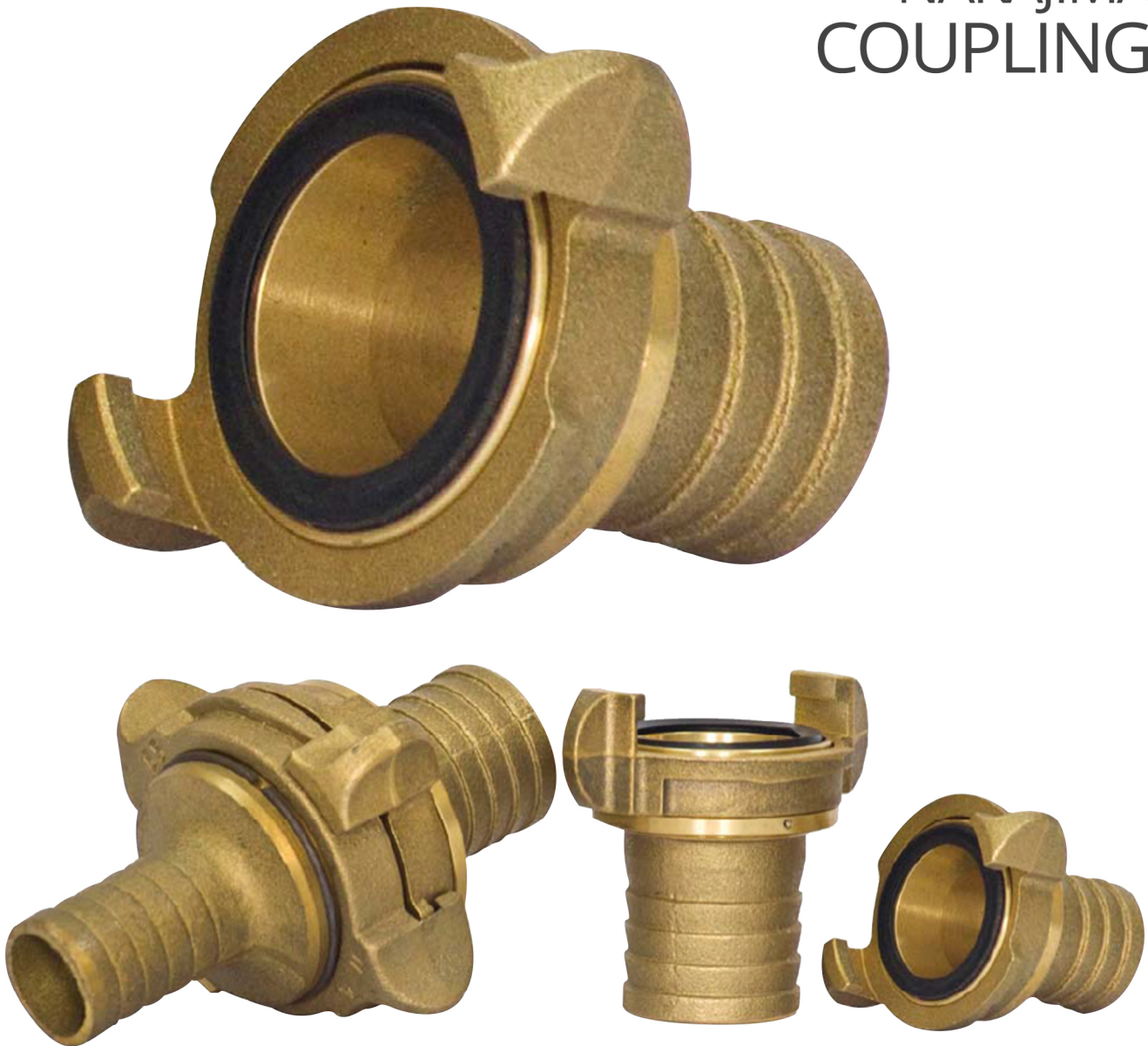


MALE COUPLING

- Can be BSP Threaded or ANSI Threaded
- Can be used in both Layflat and Rigid Hose
- Available sizes are 1.5", 2", and 2.5"

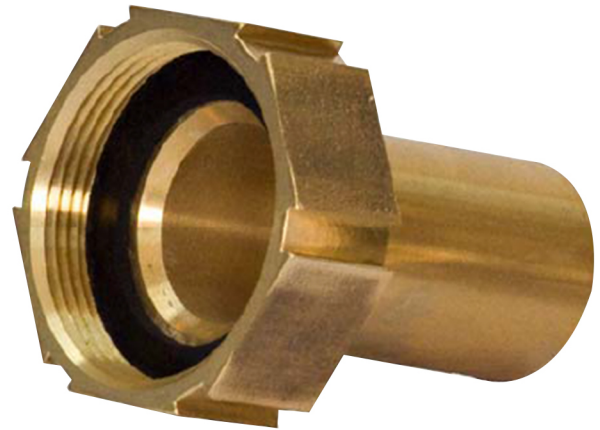
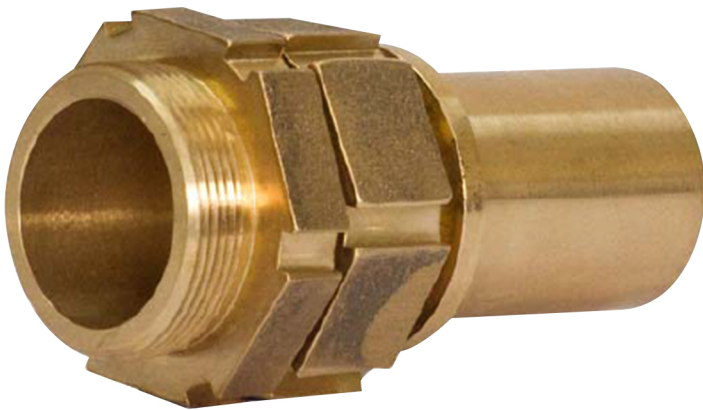
*****Other coupling designs available upon request.***

NAKAJIMA COUPLING



- Conform to Japanese JIS 7335
- Two halves are identical and a quarter turn locks the couplings together
- Can be used in both Layflat and Rigid Hose
- Available sizes are 1.5", 2", and 2.5"

MALE AND FEMALE COUPLINGS



MALE COUPLING

- Can be BSP Threaded or ANSI Threaded
- Can be used in both Layflat and Rigid Hose
- Available sizes are 1.5", 2" , and 2.5"

FEMALE COUPLING

- Standard hose connection for Portable Tank Cleaning Machine
- Can be BSP Threaded or ANSI Threaded
- Can be used in both Layflat and Rigid Hose
- Available sizes are 1.5", 2" , and 2.5"

MALE AND FEMALE CAMLOCKS



MALE CAMLOCK

- Can be used in both Layflat and Rigid Hose
- Can be used in Ball Valves.
- Available sizes are 1.5" and 2"
- Accessories: Dust Plug; available sizes are 1.5" and 2"

FEMALE CAMLOCK

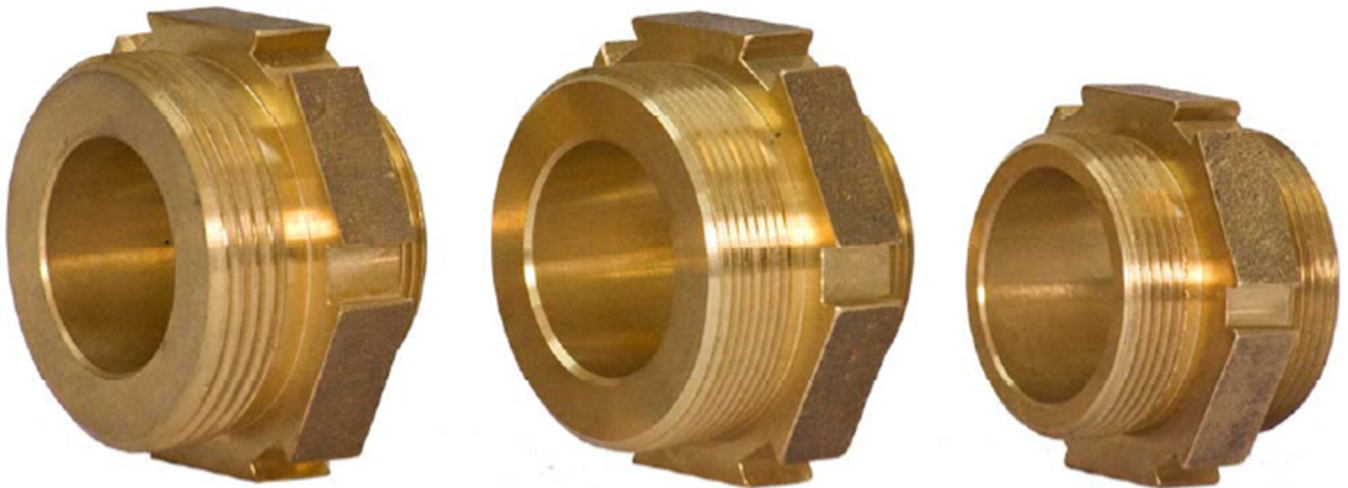
- Can be used in both Layflat and Rigid Hose
- Can be used in Ball Valves.
- Available sizes are 1.5" and 2"
- Accessories: Dust Plug; available sizes are 1.5" and 2"

STORZ COUPLING



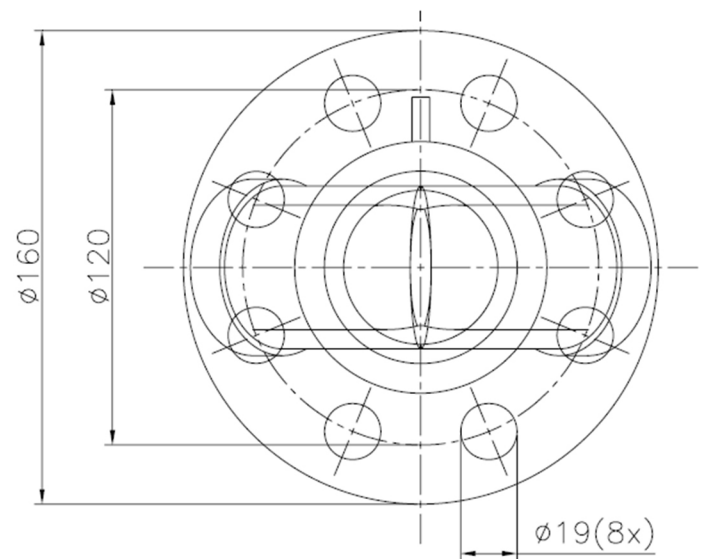
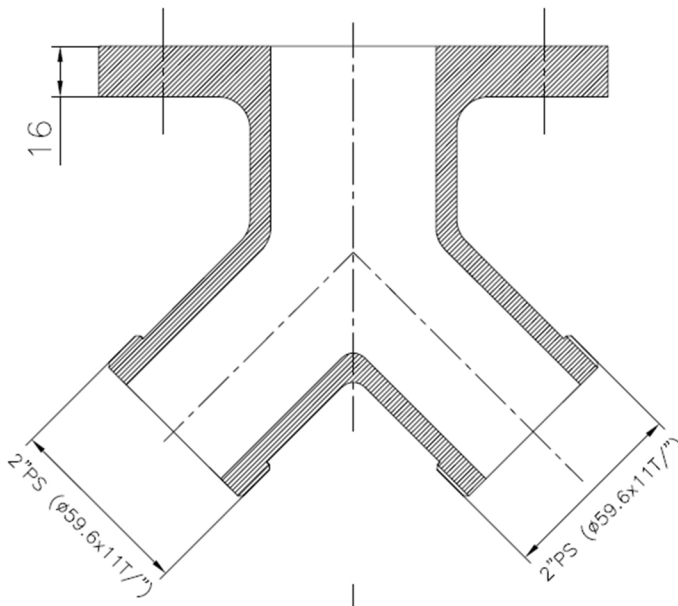
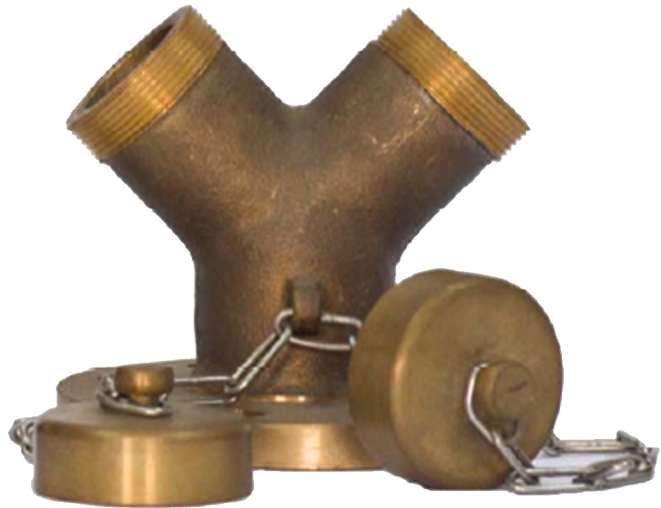
- Conform to German Standard DIN 14302 and 14303
- A quarter turn mates the two identical halves
- Material is Bronze.
- Can be used in both Layflat and Rigid Hose
- Available sizes are 2" and 2.5"

DOUBLE ENDED MALE ADAPTOR



- Material is Bronze.
- Can be BSP Threaded, ANSI Threaded or ASA Threaded
- Available sizes are 2" and 2.5"

TWO WAY Y-NIPPLE



- Material is Bronze.
- Equipped with End Cap
- Also available in Three-way Y-nipple
- Can be ANSI or BSP Threaded

LAY-FLAT HOSE TANK CLEANING HOSE



CONSTRUCTION

Synthetic single jacket fully woven polyester reinforcement and completely encapsulated with a NBR/PVC (nitrile) with lining and cover, made in a single extrusion eliminating risks of separation or blistering.

GREAT DURABILITY

The hose provides high pressure capability together with superior resistance to sea-water, oils and hydrocarbon fuels, water, acids, and chemicals, ozone. Excellent abrasion, puncture, weathering and ozone/u.v. resistance.

ELECTRICAL PERFORMANCE

2 electrical copper tin covered wires with a cross section of 0.5 mm² each one and protected with a braided sheet of polyester yarn, is incorporated against the buildup of static electricity for hose whose value should not exceed 70.000 ohms per foot. (According to U.L. and U.L.C)

Diameters:	mm	38 and 52 ± 1.5			
	inch	1 1/2 and 2			
Lengths:	m	15, 20, 30m ~ up to 200m on			
	ft	50, 66, 100ft ~ up to 660ft on request			
Minimum burst pressure:	bar	63			
	psi	900			
Maximum working pressure:	bar	20.5			
	psi	300			
Temperature Range:	°C	-20 to +80 normal service			
	°F	-4 to +176 normal service			
	°C	+120 for punctual service			
	°F	+248 for punctual service			
Minimum bend radius in m. (ft.) and pressure in bar (p.s.i.):	bar/psi	5 / 75	10 / 150	15 / 225	20 / 300
	m				
	ft				
Thickness	mm	3.5			
	inch	9 / 64			
Approximate weights (without coupling)	g/m	38 mm 485 and 52 mm 650			
	lb/ft	38 mm 0.352 and 52 mm 0.470			
Coil diameter (length/diameter)	m/mm	20 / 500	30 / 650		
	ft/inch	66 / 20	100 / 26		
Color:		Yellow			
Electrical wire units		2			
Section of one wire	mm	0.5			
	inch	0.00078			
Electrical resistance for Hose of 30 m / 100 ft / per wire	Ω	1 to 15			

RIGID HOSE TANK CLEANING HOSE



Tank cleaning hose designed for the cleaning of tanks by using a rotating head. Due to its peculiar structure the hose in working condition is not subject to elongation. Hose is provided with yellow rings at 5 meter intervals.

Norm : DIN 7715, for tolerance dimensions

Tube : EPDM black, smooth

Cover : EPDM black, smooth, ozone- and ageing resistant, fabric finish

Insertions : High strength textile plies and two stainless steel wires, trailing

Working pressure : 20 bar

Burst pressure : > 62 bar

Temperature range : -30 °C / +95° C

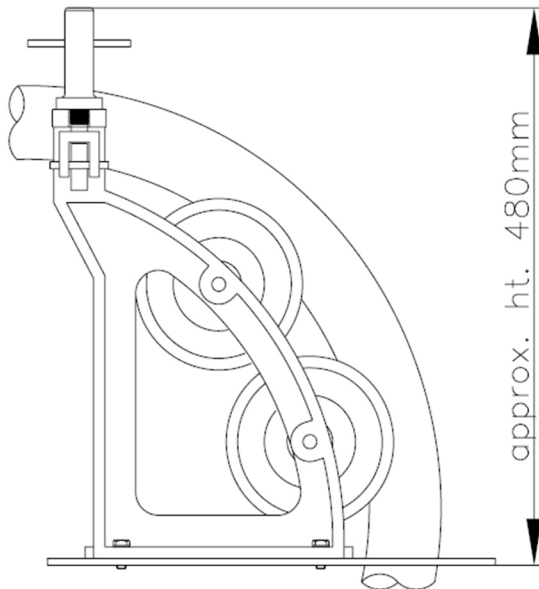
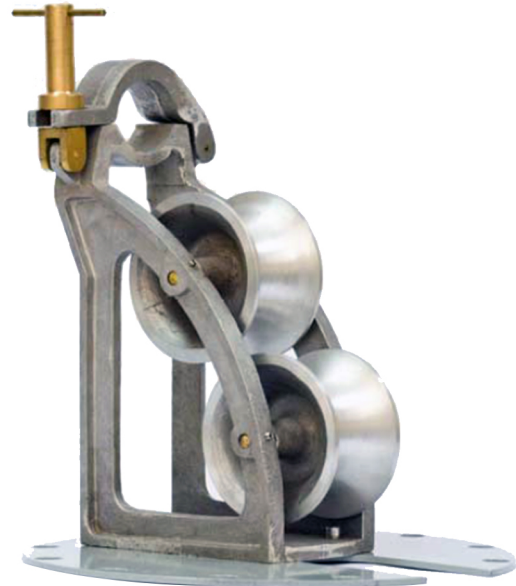
Sizes : 38 x 54 mm. and 51 x 67 mm.

Electrical resistance : R < 1 Mega Ohm, when static-wire connected

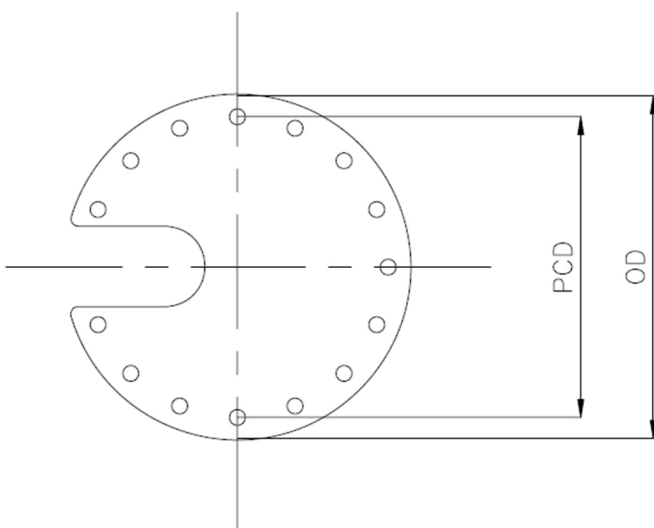
Print : yellow rings each 5 meters.

We declare to deliver according to the specifications mentioned above

HOSE SADDLE



- For handling of Tank Cleaning Hoses
- Aluminum Material hose Support Position Clamp
- Bronze Material Wing Nut
- Mild Steel Epoxy Coated Hose Saddle Flange
- Choice of Hose Saddle Flange sizes
- Weight Approx. 14 kg.
- Saddle Flange thickness: 6mm



SADDLE FLANGE

Outer Diameter (OD) : _____

No. of Holes : _____

Size of Holes : _____

PCD of Holes : _____

No. of Units : _____

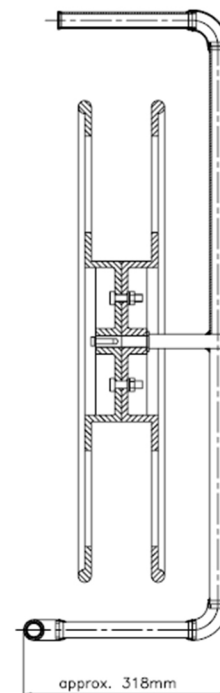
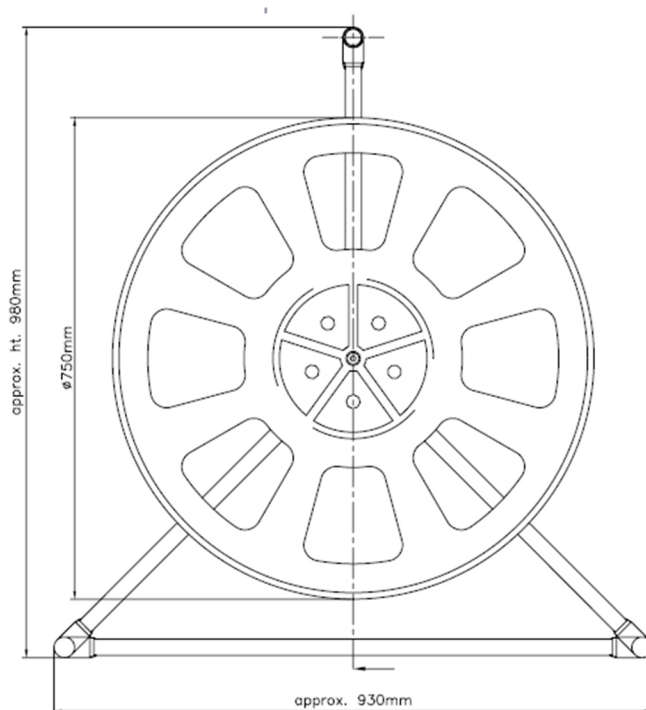
We declare to deliver according to the specifications mentioned above

HOSE SPANNER



- Standard material is Mild Steel with Epoxy Primer
- Also available in Bronze upon request
- Used in tightening the couplings
- Applicable on 1.5", 2" and 2.5" coupling

HOSE REEL



- For handling of Tank Cleaning Hoses
- Hose Wheel material is Aluminum
- Hose Wheel Support material is Stainless Steel
- Weight Approx. 26 kg.